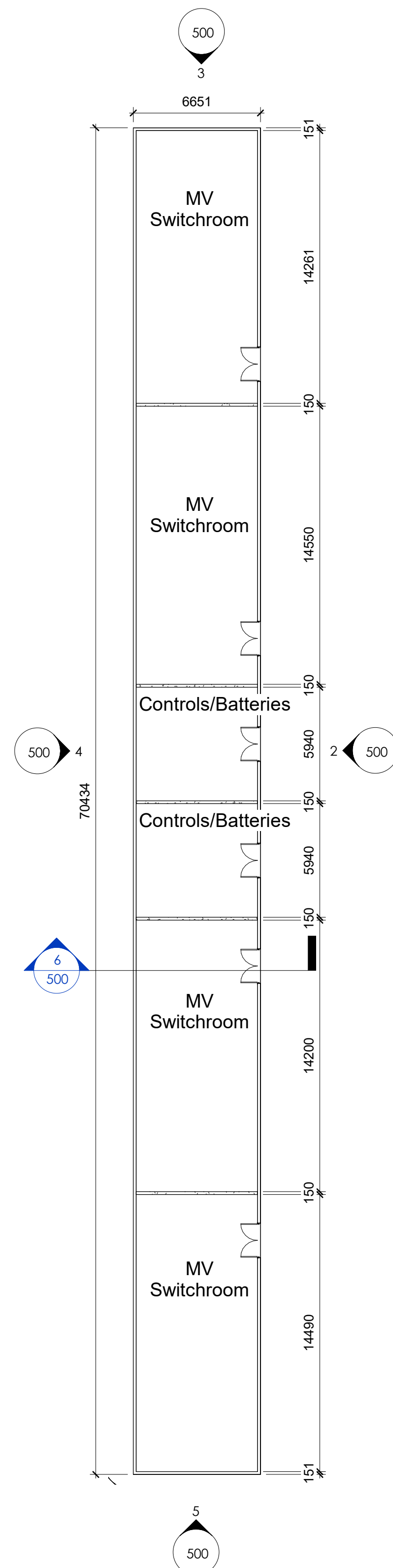
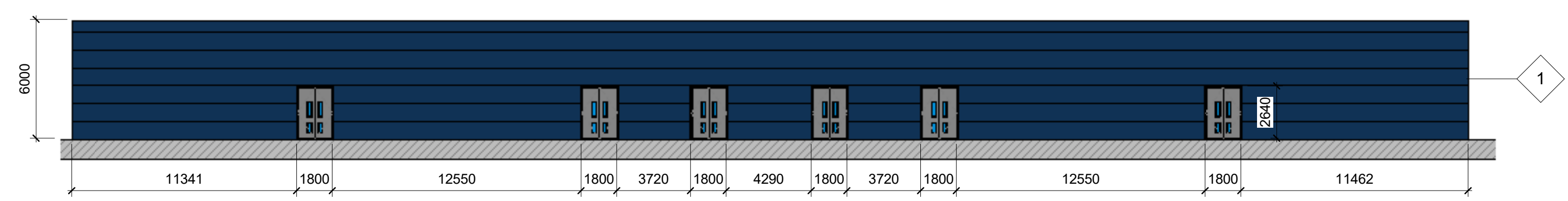


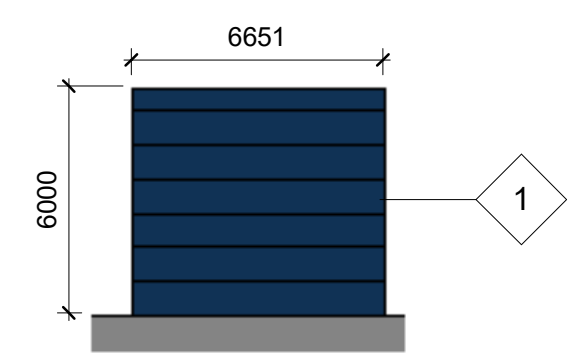
NOTES:  
 1. All rights reserved. All drawings and written material appearing herein constitute original and unpublished works of ARC:MC Limited may not be duplicated, used or disclosed without written consent.  
 2. All dimensions shown are in millimetres.  
 3. This drawing shall be read in conjunction with all Specifications and schedules.  
 4. All dimensions shall be checked by Contractor prior to any works commencing on site.  
 5. The contractor shall fully comply with all relevant British standards, regulations, standard codes of practice, methods of working, and good practice.  
 6. Dimensions shall not be scaled from the drawing and the contractor shall be responsible for obtaining all dimensions and levels on site for the actual setting out of the works.



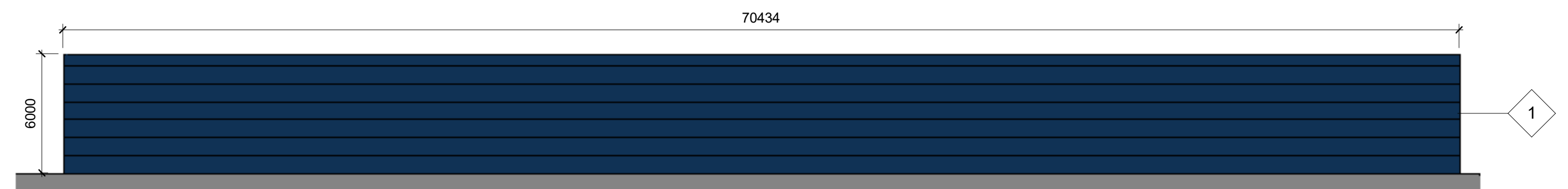
**1 Substation - Control Building Ground**  
1 : 200



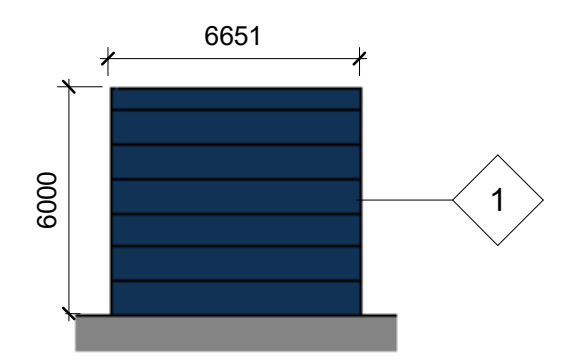
**2 Control Building - East**  
1 : 200



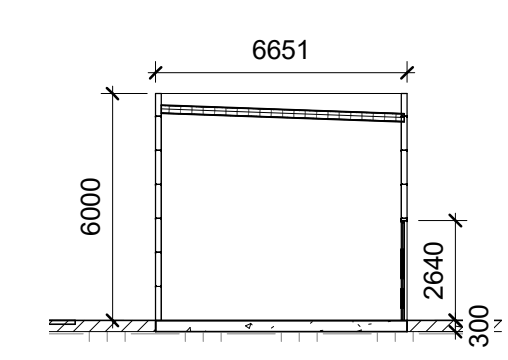
**3 Control Building - North**  
1 : 200



**4 Control Building - West**  
1 : 200



**5 Control Building - South**  
1 : 200



**6 Control Building - Section**  
1 : 200

**Key**  
 1 - Architectural Wall Panel - Dark Blue  
 2 - Architectural Wall Panel - Blue  
 3 - Architectural Wall Panel - Light Blue  
 4 - Architectural Wall Panel - Sky Blue

A	31/03/2022	ISSUED FOR INFORMATION	RE	MAJB
P	17/05/2022	ISSUED FOR INFORMATION	ISSUE	BY
REV	DATE	ISSUE	BY	CHK

**FOR PLANNING**  
 STATUS: S2  
 DESCRIPTION: ISSUED FOR INFORMATION

**ARC:MC**  
 140-142 St. John Street, London EC1V 4UB T 020 34112571  
 REGISTERED IN ENGLAND - COMPANY REG. No. 7083299

CLIENT:  
**ART DATA CENTRES**

**TM** TOM MCNAMARA & PARTNERS  
 CONSTRUCTION COST MANAGERS  
 PROJECT MANAGERS

PROJECT: ART Data Centres - Ennis Campus  
 TULLA ROAD, ENNIS  
 Co. CLARE, IRELAND

PROJECT NO: 3108.00  
 DESCRIPTION: Substation - Control Building

SCALE: 1 : 200 @ A1

DRAWING No: ART-ARC-SS-ZZ-DR-A-500 REVISION: A

